

STAINLESS STEEL HATCH PULL ST-80, ST-100



- Ideal for use in places where projection from surface is not permitted, such as switch boards and inspection ports.
- Thick and smooth handle.

[Applications]

- Control panels, switch boards, and inspection ports, etc.

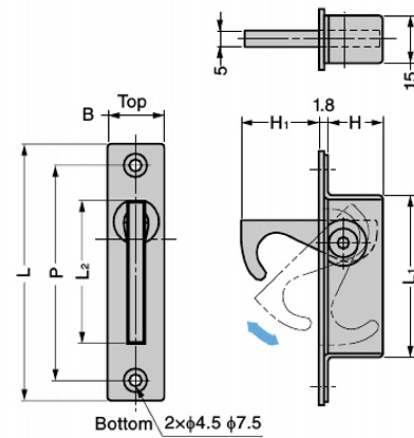
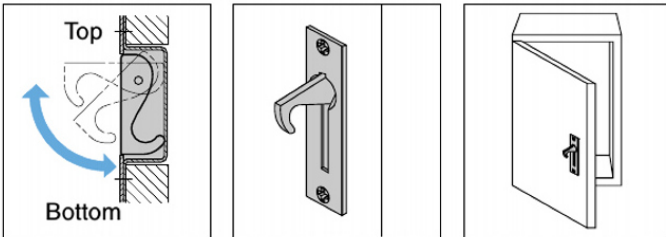
[Remarks]

- For vertical use only. Do not use on the ceiling and floor.
- Please install the top and bottom correctly.

[Parts Included]

- ST-80: Countersunk head wood screw 3.5 × 16 (SUS)
- ST-100: Countersunk head wood screw 3.5 × 20 (SUS)

[Application Example]



RoHS	CAD	Item Code	Item Name	Material	Finish	L	L ₁	L ₂	H	H ₁	B	P	Weight (g)	Box (pcs)	Carton (pcs)
		100-010-244	ST-80	Stainless Steel (SUS304)	Satin	80	50	45	18	25	18	68	48	30	300
		100-010-245	ST-100			100	63	55.2	21	32	20	85	66	20	200