

STAINLESS STEEL HANDLE MG SEMI Compliance



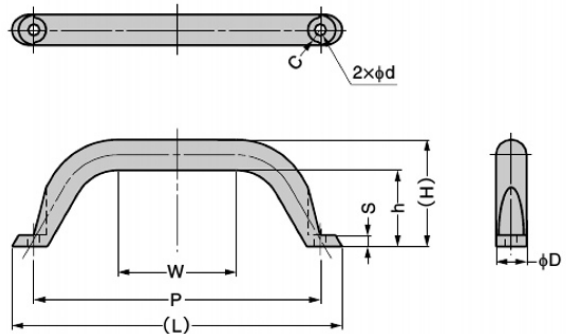
- Compliant with SEMI standard (SEMI S8-0701).
- Passed 1960N (200kgf) load capacity test.
- Larger height and width allows for easy gripping with gloved hand.
- For mounting screws, truss head can be used. (Screws not included)

[Applications]

- Semiconductor manufacturing equipment, special vehicles, large doors, and transport equipment, etc.

[Recommended Screws]

- MG-150: Hexagon socket head cap screw M5
- MG-190, MG-250: Hexagon socket head cap screw M6
- MG-230T, MG-300T: Hexagon socket head cap screw M8



RoHS	CAD	Item Code	Item Name	Material	Finish	L	H	P	D	W	h	S	C	d	Weight (g)	Box (pcs)	Carton (pcs)
✓	3D	100-010-483	MG-150	Stainless Steel (SUS316)	Polished	172.8	56	150	16	62	40	6	R6.5	6	295	10	40
✓	3D	100-010-484	MG-190			216.7	63	190	18	92	45	8	R7.5	7	460	5	20
✓	3D	100-010-485	MG-250			275.5	68	250	18	145	50	8	R7.5	7	595	5	20
✓	3D	100-021-952	MG-230T			260	70	230	20	129	50	10	R9	9	665	5	20
✓	3D	100-021-953	MG-300T			330	70	300	20	199	50	10	R9	9	820	5	20