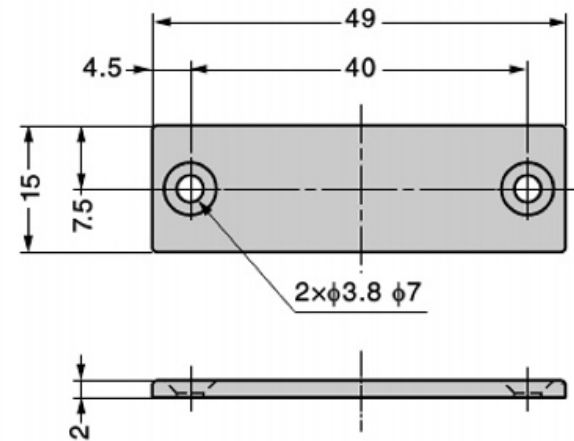


STAINLESS STEEL COUNTER PLATE MC-JM49



RoHS	CAD	Item Code	Item Name	Material	Finish	Weight (g)	Box (pcs)	Carton (pcs)
		140-050-149	MC-JM49	Stainless Steel (304 Equivalent)	Polished	10	100	1000