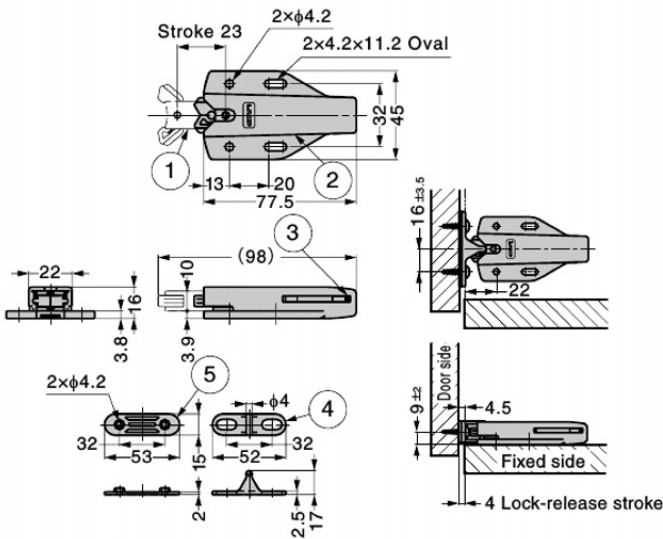


NON-MAGNETIC TOUCH LATCH MLC-100



- Long stroke.
- No handle needed, just push to open/close.
- Non magnetic.
- Lightly push to open the door. When closing, arm will catch the counter plate and hold the door by lightly pushing, too.
- Wide adjustment range: $\pm 2\text{mm}$ vertically and $\pm 3.5\text{mm}$ horizontally.
- Installation with rivet is also possible.
- Similar item (heat resistance, stroke 40mm): MLC-HT130BL **1**.



[Specifications]

- Passed 100,000 open/close private cycle test

[Parts Included]

- Truss head tapping screw 4 × 16 (SUS)

[Recommended Screws]

- M4 pan or truss head screw, No.4 rivet

No.	Part Name	Material	Finish / Colour
①	Body 1	Reinforced Nylon	White
②	Body 2	Reinforced PBT	Black
③	Spring	Steel	Coloured Zinc Chromate (Trivalent)
④	Counter Plate	POM	White
⑤	Counter Plate	PBT	Black

RoHS	CAD	Item Code	Item Name	Old Item Name	Colour	Retaining Force N	Retaining Force kgf	Push Force N	Push Force kgf	Weight (g)	Box (pcs)	Carton (pcs)
		140-028-540	MLC-100WT	PR-25	White	90	9.2	14	1.4	32	20	240
		140-033-090	MLC-100BL	-	Black						20	240

Refer to **1** : P.649

※Item name has been revised.