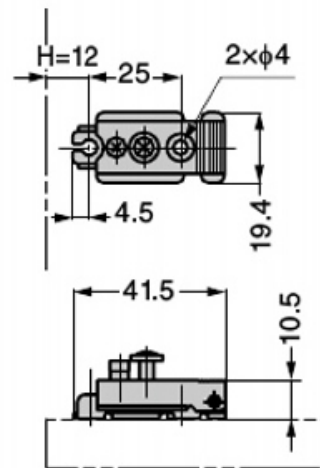


MOUNTING PLATE 100-P3A



- Overlay adjustable.
- Standard height: 0mm
- Value of H: Door thickness + 17mm in use of INSET type (Door thickness + 12mm in use of INSET type of H160 or 170 hinge).

[Recommended Screws]

- Size 3.5 tapping screw or wood screw (do not use countersunk head screws)

RoHS	CAD	Item Code	Item Name	Material	Finish	Weight (g)	Box (pcs)
		160-074-244	100-P3A	Steel	Satin Chrome/Coloured Zinc Chromate	21.4	800