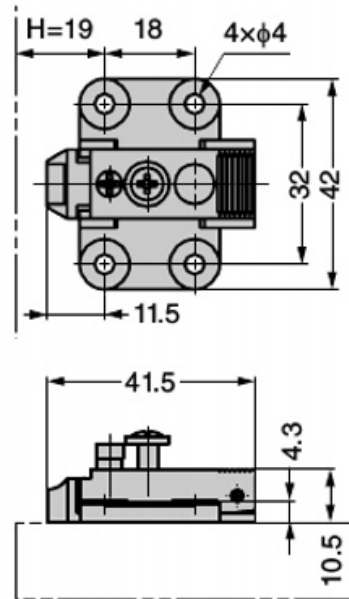


## MOUNTING PLATE 100-06A



- Overlay adjustable.
- Standard height: 0mm
- Value of H: Door thickness + 24mm in use of INSET type (Door thickness + 19mm in use of INSET type of H160 or 170 hinge).

### [Recommended Screws]

- Size 3.5 tapping screw or wood screw (do not use countersunk head screws)

RoHS	CAD	Item Code	Item Name	Material	Finish	Weight (g)	Box (pcs)
		160-074-111	100-06A	Zinc Alloy (ZDC)/Steel	Satin Chrome/ Coloured Zinc Chromate	36.1	400