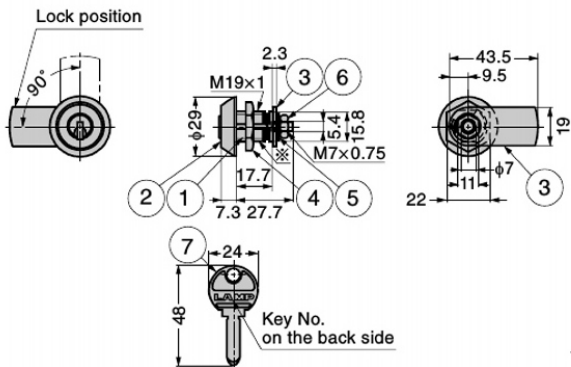


MILLION LOCK CAM LOCK 900



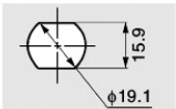
- Suitable for vending machine, ATM and coin locker, etc.
- Reversible key can be removed when locked (90° rotation). In order to ensure that the application is properly locked.
- 1 million key changes available. Master Key system available at surcharge. (Max. 2,520 key changes/Master Key.)
- Other shapes of cam can be made to order.
- Keys can be shared with Million Lock series **1**.



[Remarks]

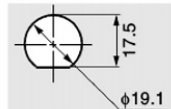
- Be sure to read the "Cautions" **2**.
- Key number is stamped on the screw part (※ marked on left drawing) of the body .

[Cut Out Dimensions]



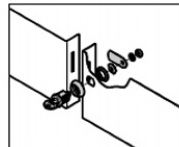
Standard type

[Cut Out Dimensions]



Master Key system type

[Installation]



No.	Part Name	Material	Finish
①	Body	Brass	Chrome
②	Ring		
③	Cam	Steel (SPCC)	Coloured Zinc Chromate
④	Hex Nut	Steel (SS)	
⑤	Washer	Steel	Nickel
⑥	Hex Nut	Steel (SS)	Coloured Zinc Chromate
⑦	Key	Brass	Nickel

ReHS	CAD	Item Code	Item Name	Key Type	Door Thickness	Weight (g)	Box (pcs)	Carton (pcs)
-	3D	150-060-247	900-B	Key Different	0.8-8	120	12	60
-	3D	150-001-080	900-D	Key Alike			-	1

Refer to **1** : P.719, **2** : P.718