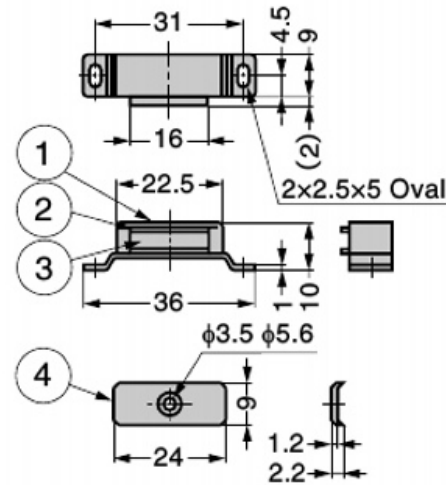


MAGNETIC CATCH MC16S



[Remarks]

● Be sure to read the "Cautions" **1**

[Parts Included]

● Counter plate

No.	Part Name	Material	Finish
①	Body	Aluminium Alloy	Paint/Metallic Brown
②	Yoke	Steel (SPCC)	GB
③	Magnet	Ferrite	-
④	Counter Plate	Steel (SPCC)	Chrome

RoHS	CAD	Item Code	Item Name	Magnetic Force N	Magnetic Force kgf	Weight (g)	Box (pcs)	Carton (pcs)
		140-050-096	MC16S	11.8	1.2	7.5	200	2000

Refer to **1** : P.607