

**93° Opening**

**Inset**

Cup Dia  $\phi 40$  Bore Depth 15mm  
Door Thickness 18-30mm/Glass Thickness 8, 10mm

**Mounting Plate 1**  
J95-P6T

**HEAVY DUTY CONCEALED HINGE J95**



Passed 40,000 open/close private cycle test

RtHS	CAD	Item Code	Item Name	Type	Material	Finish	Weight (g)	Box (pcs)
G	3D	160-033-660	J95-24/OT	Without Catch	Body/Steel, Cup/Zinc Alloy (ZDC)	Nickel	148	50
G	3D	160-033-659	J95-C24/OT	With Catch		Nickel	160	50
G	3D	-	J95-24/OT BN	Without Catch		Black	148	50
G	3D	-	J95-C24/OT BN	With Catch		Nickel	160	50

A mounting plate (sold separately) is required for installation. Please order separately.

**[Sold Separately]**

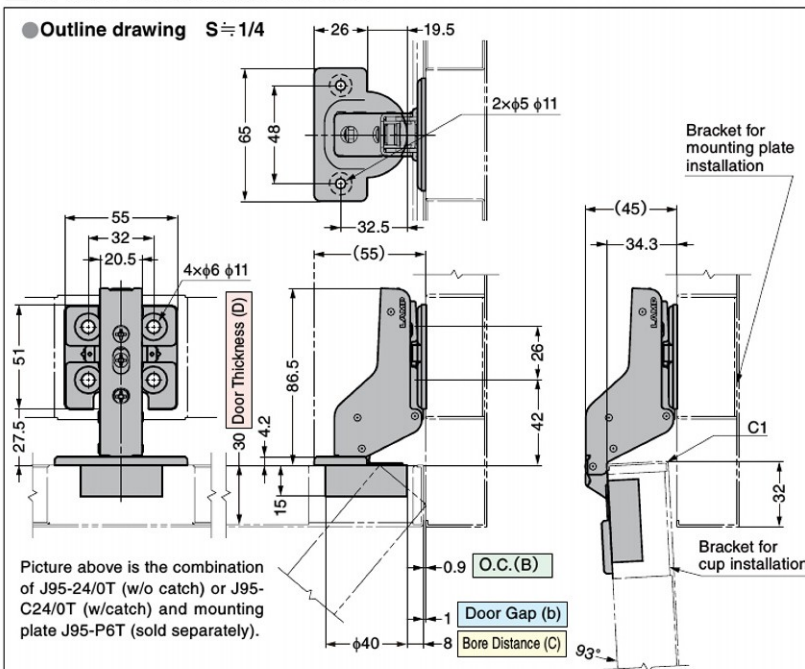
- Mounting plate J95-P6T **1**
- Face plate for glass door GH-J95FP **2**
- Safety cover J95SC-0GR **3**
- Cover for mounting plate J95ZC-GR **4**

**[Recommended Screws]**

- M5 countersunk head screw, M5 raised countersunk head screw

Picture above is the combination of concealed hinge and mounting plate (sold separately).

**In case of sheet metal door**



**[Bore Distance (C)]**

Table-1

Bore Distance (C)	3	4	5	6	7	8
Door Gap (b)	6	5	4	3	2	1

Door gap can be adjusted by turning the overlay adjustment screw.

**[Opening Clearance (O.C.)]**

Clearances for door edge O.C. (A) and hinge side O.C. (B) are necessary. O.C. (A) and (B) change depending on door thickness and bore distance (C). Refer to locus chart and tables below when designing cabinets.

**[O.C.(B)]**

Table-2

Door Thickness (D)	Bore Distance (C)					
	3	4	5	6	7	8
18	0	0	0	0	0	0
20	0	0	0	0	0	0
22	0.1	0.1	0.1	0.1	0	0.1
24	0.1	0.1	0.1	0.1	0.1	0.1
26	0.3	0.3	0.3	0.3	0.3	0.3
28	1.7	1.1	0.6	0.5	0.5	0.5
30	3.5	2.9	2.3	1.8	1.0	0.9
32※	5.4	4.7	4.1	3.6	3.0	2.5
34※	7.3	6.6	6.0	5.4	4.8	4.3
O.C. (B)						

※Please refer to the locus chart if door thickness is over 30 mm. (O.C. (B) can be made smaller by R chamfering (round chamfer) or C chamfering (chamfer plane) on the door)

**[O.C.(A)]**

Table-3

Door Thickness (D)	Door Width						
	300	400	500	600	700	800	900
30	0.9	0.6	0.5	0.4	0.4	0.3	0.3
O.C. (A)							

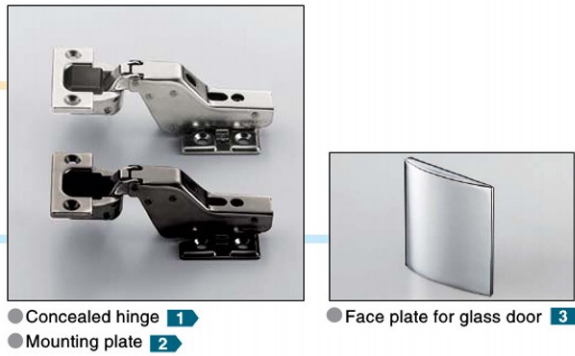
**[Door Dimensions and Number of Hinges] 6**

## [How to Select Products]

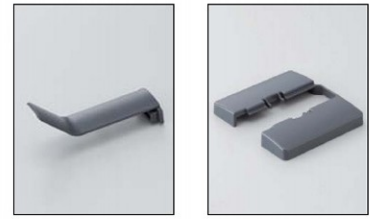
### Necessary Parts

In case of sheet metal door

In case of glass door

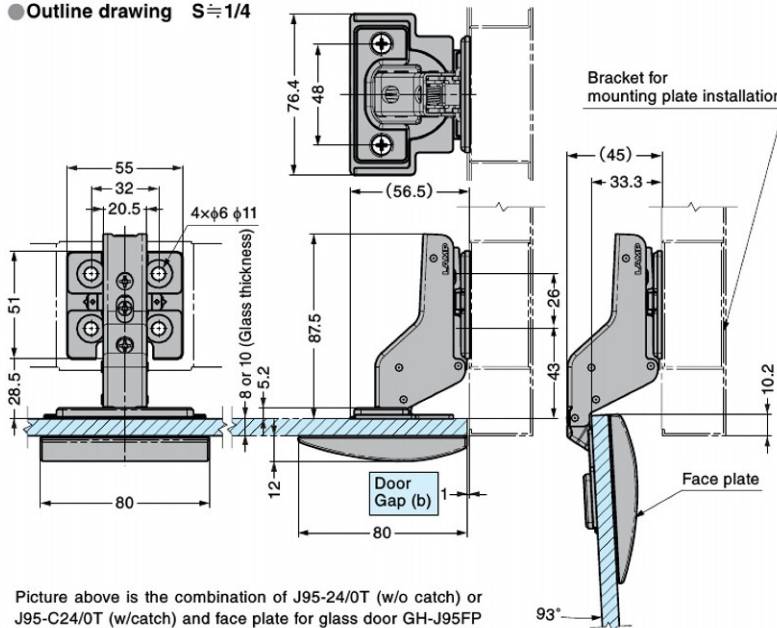


### Optional Parts



## In case of glass door

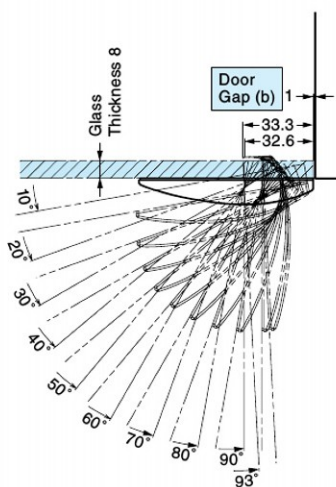
### ● Outline drawing S ≐ 1/4



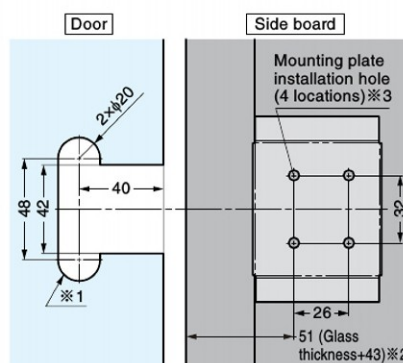
Picture above is the combination of J95-24/0T (w/o catch) or J95-C24/0T (w/catch) and face plate for glass door GH-J95FP (sold separately), mounting plate J95-P6T (sold separately).

### ● Locus chart S ≐ 1/4

(How to Use the Locus Chart 5)



### ● Cut out dimensions



- ※1: Use tempered glass. Scattering prevention film is recommended.
- ※2: The size is 53 when using 10mm thick glass door.
- ※3: Internal threads need to be made by welding nut or burring.

### [Opening Clearance (O.C.)]

When using a concealed hinge, although door edge O.C.(A) and hinge side O.C.(B) are required, but for glass door, hinge side O.C.(B) is 0 (zero) because the door thickness (glass thickness) is much thinner than that of the wooden door. Besides, O.C.(A) is identical to Table-3 7.

### [Door Dimensions and Number of Hinges] 8