

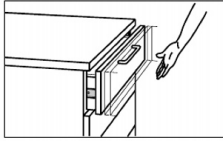
FULL EXTENSION SOFT-CLOSE SLIDE 4670 Black

LOAD CAPACITY 147-392 N/pair **L=R** **DETACH** **BUMPER** **CATCH** **INSTRUCTION**

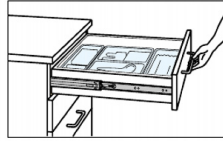


- Full extension (3 members).
- Black version of slide 4670 1.
- Soft-closes at 20mm distance from closed position (slide length 350mm or below) or 36mm distance from closed position (slide length 400mm or above).
- With self & soft closing mechanism built-in, easy to install as with conventional slides.
- The drawer can be fully pulled out for slide length 350mm or above.
- The maximum width of the drawer is the slide length +200mm.
- Sliding smoothly even with some deflection of cabinet due to shock absorbing effect of the outer member installation part.
- The drawer is detachable by lifting the lever.

[Self & Soft Closing]



[Full Extension (3 Members)]



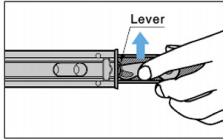
[Remarks]

- Be sure to read the "Cautions" 2.
- Do not push with a strong force when soft-closing mechanism is operating. Otherwise, it may cause oil leakage.
- Noted that scratch is conspicuous on black surface.

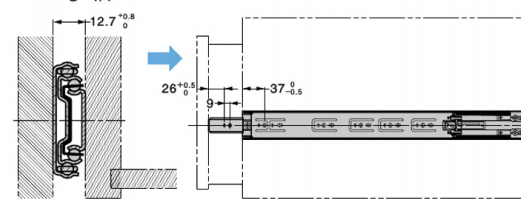
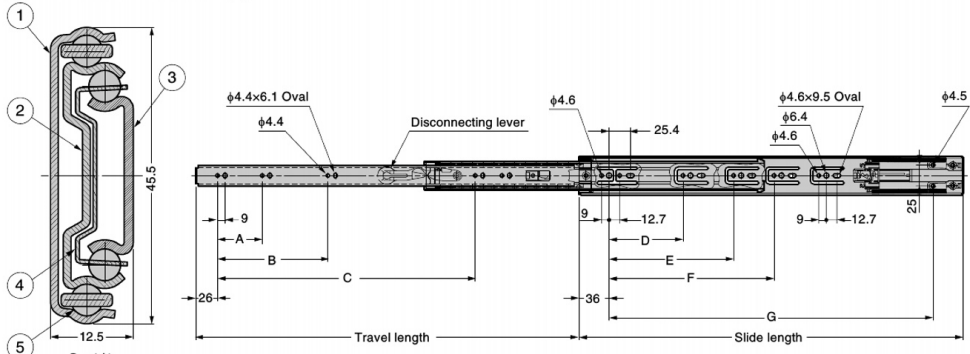
[Parts Included]

- Truss head tapping screw 4x12 (black chromate)

[Easy to Detach]



Simultaneously move the left lever upwards and the right lever downwards.



No.	Part Name	Material	Finish/Colour
①	Outer Member	Steel	Black Chromate
②	Intermediate Member		(Zinc Chromate Steel)
③	Inner Member		
④	Retainer		
⑤	Balls		-

Sold in pairs (2 pcs).

RoHS	CAD	Item Code	Item Name	Slide Length	Travel Length	A	B	C	D	E	F	G	Load Capacity N/pair	Load Capacity kgf/pair	Weight (kg/pair)	Box (pairs)	Carton (pairs)
-	-	190-028-947	4670-250BL	250	175	-	-	124	87	-	-	179	147	15	0.71	10	-
-	-	190-028-948	4670-300BL	300	275	-	-	174	-	-	-	229	196	20	0.85	10	-
-	-	190-028-949	4670-350BL	350	353	96	-	224	-	183	-	279	245	25	0.99	10	-
-	-	190-028-950	4670-400BL	400	404	-	-	254	-	199	-	329	294	30	1.13	10	-
-	-	190-028-951	4670-450BL	450	455	128	-	294	119	247	-	379	294	30	1.27	10	-
-	-	190-028-952	4670-500BL	500	505	-	160	344	-	295	-	429	343	35	1.44	10	-
-	-	190-028-953	4670-550BL	550	556	96	-	394	-	215	343	479	392	40	1.59	6	-
-	-	190-028-954	4670-600BL	600	606	128	192	444	-	-	-	529	294	30	1.77	6	-

Refer to 1 : P.404, 2 : P.399