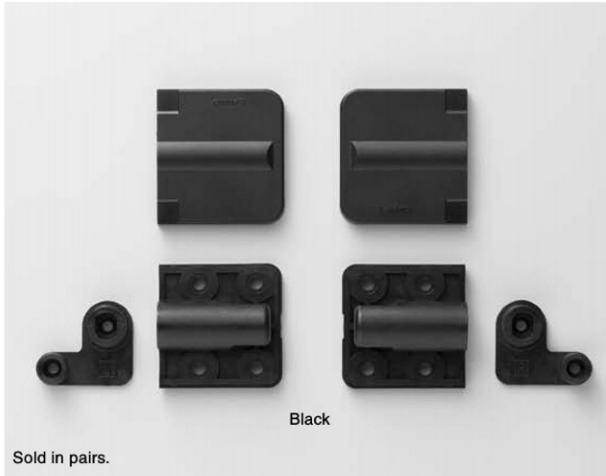


DAMPER HINGE HG-JHM14



- Hinge with built-in damper UDH-14 **1**.
- Smooth movement in the opening direction.
- Cover hides mounting screws for clean appearance.
- Easy to cut out with a router.

[Specification]

- Operating temperature: 0°C ~40°C

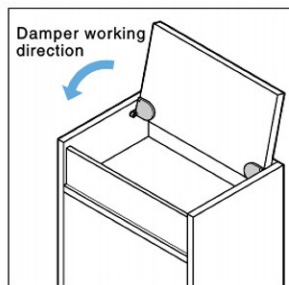
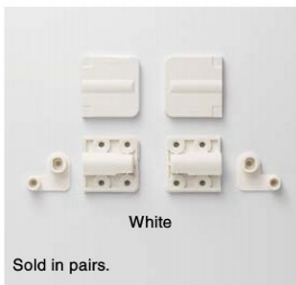
[Remarks]

- Be sure to read the "Cautions" **2**.
- The installation example in the Manual Instruction is for wooden lid.
- Sold in pairs.
- When installing, ensure that both hinge shafts are levelled and aligned.
- Damper mechanism works when opening the lid by about 60° or more.

[Sold Separately]

- Bracket for under mount (UKZ14) also available **3**.

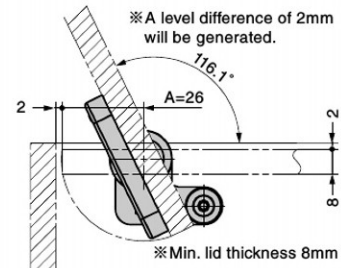
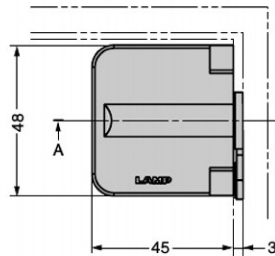
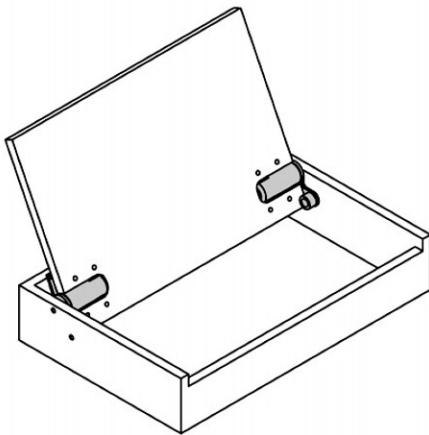
Selection Tool
Sasuga-kun
 Applicable Products
 Used for Product Selection & Simulation.
 Available on Web!



Side Mount Type

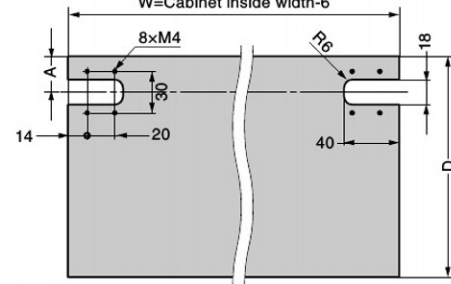
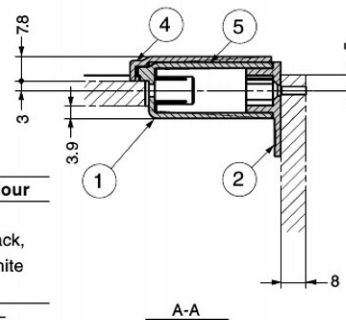
[Top View]

[Installation]



[Cross-section Drawing]

[Cut Out Dimensions]

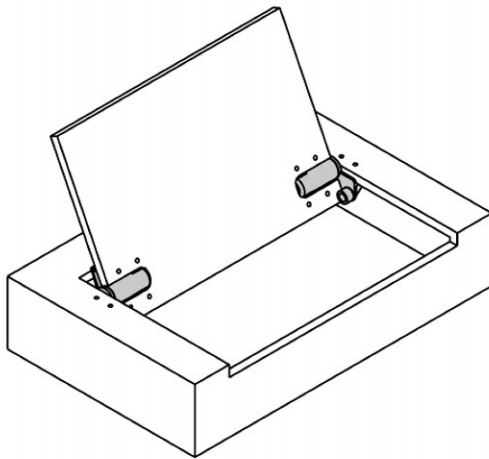


No.	Part Name	Material	Colour
①	Body	POM	Black, White
②	Bracket for side mount R	Reinforced	
③	Bracket for side mount L	PBT	
④	Cover	ABS	
⑤	Damper	-	-

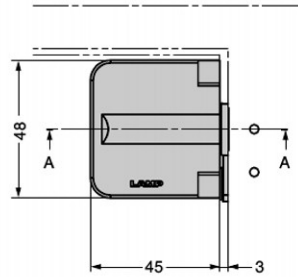
RoHS	CAD	Item Code	Item Name	Colour	Torque N·m/pair	Torque kgf·cm/pair	Marking Colour	Opening Angle	Weight (g)	Box (pairs)	Carton (pairs)
CE	3D	170-031-930	HG-JHM14-S-8BL	Black	0.5~0.8	5.1~8.2	Purple	105°	51.4	20	220
CE	3D	170-031-931	HG-JHM14-S-8WT	White					51.4	20	220
CE	3D	170-031-932	HG-JHM14-S-15BL	Black	0.8~1.5	8.2~15.3	Blue		51.4	20	220
CE	3D	170-031-933	HG-JHM14-S-15WT	White					51.4	20	220
CE	3D	170-031-934	HG-JHM14-S-20BL	Black	1.5~2	15.3~20.4	Green		51.4	20	220
CE	3D	170-031-935	HG-JHM14-S-20WT	White					51.4	20	220

Refer to **1** : P.68, **2** : P.15, **3** : P.58

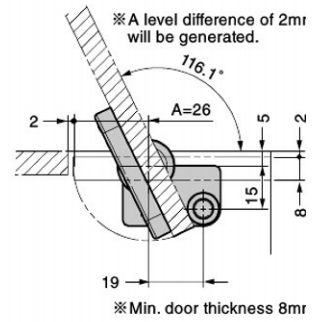
Under Mount Type (optional bracket 1 for under mount is required)



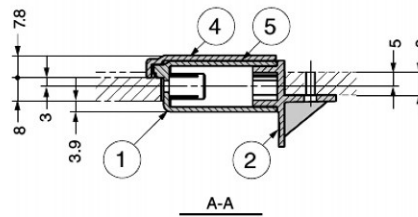
[Top View]



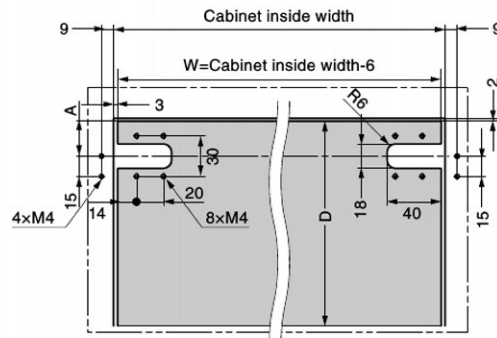
[Installation]



[Cross-section Drawing]



[Cut Out Dimensions]



No.	Part Name	Material	Colour
①	Body	POM	
②	Bracket for Side Mount R	Reinforced	Black,
③	Bracket for Side Mount L	PBT	White
④	Cover	ABS	
⑤	Damper	-	-

Refer to 1 : P.58