

DAMPER HINGE HG-JH



- Hinge with built-in dampers hinge UDH **1**.
- Smooth movement in the opening direction.
- Left-handed...Damper works when rotating counterclockwise.
- Right-handed...Damper works when rotating clockwise.
- AS parts set for installing to aluminium frame also available. **2**

[Applications]

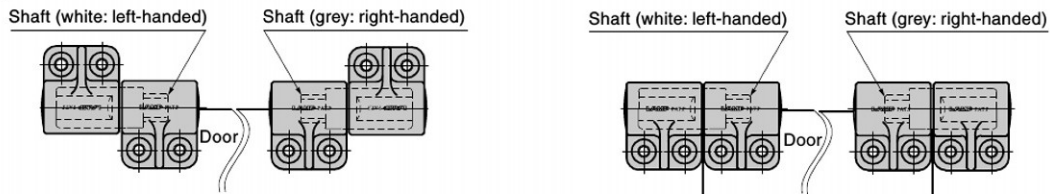
- Top-opening lids and upper covers of various cabinets.

[Remarks]

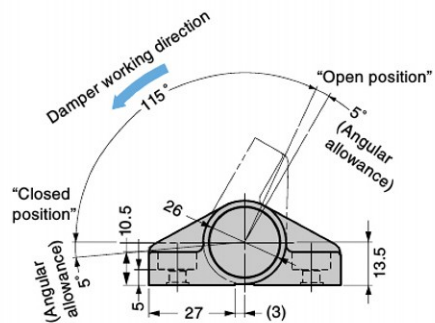
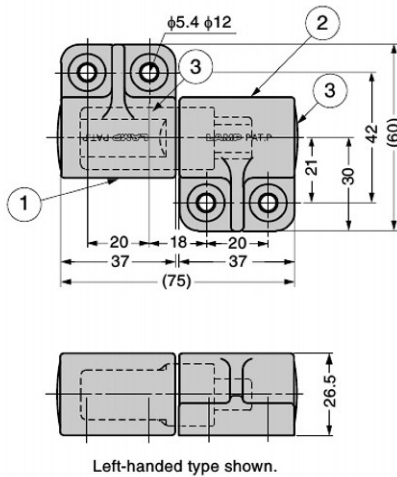
- Be sure to read the "Cautions" **3**.
- Torque range is the value when using two hinges for one door.
- Install a stopper such as a stay at the lid opening/closing position (0~115 degree or less) for not exceeding the specified rotation range.
- When installing, ensure that both hinge shafts are levelled and aligned.
- Sold in pairs.

Selection Tool
Sasuga-kun
 Applicable Products
 Used for Product Selection & Simulation.
 Available on Web!

[Installation]



When viewing door from lower side as shown above, install the left-handed type damper (white) on the left side and the right-handed type (grey) on the right side.



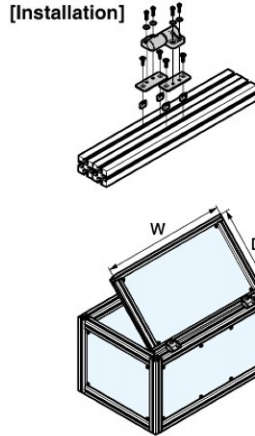
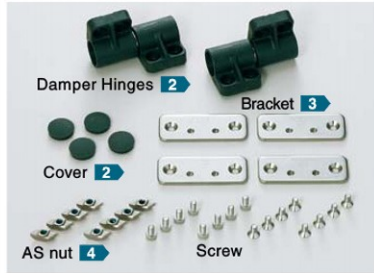
No.	Part Name	Material	Finish / Colour
①	Bracket	PBT	Emboss/Dark Grey
②	Damper		
③	Cap	PP	

RoHS	CAD	Item Code	Item Name	Torque N·m/pair	Torque kgf·cm/pair	Marking Colour (Base Side)	Weight (g)	Box (pairs)	Carton (pairs)
		170-092-209	HG-JH25	3~5	30.6~51	Blue	200	4	64
		170-092-210	HG-JH35	5~7	51~71.4	Red	193	4	64

Refer to **1** : P.66, **2** : P.53, **3** : P.15

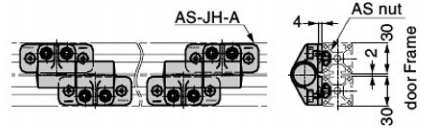
AS Parts Set for Installing to Aluminium Frame

Please refer to the series introduction page [1](#) for details about AS series.

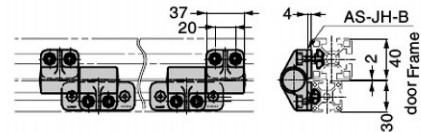


[Dimensions]

In case of 30x30 mm aluminium frame



In case of 40x40 mm aluminium frame



[Criterion of Door Weights]

Item Name	W	D	Door Weight kg
HG-JH25	400	400	2.3
HG-JH35	700	400	3.2

※ In case of using two hinges for one door.

[AS Parts Set] Parts set of brackets, screws and AS nuts used for installing to aluminium frame.

RoHS	CAD	Item Code	Item Name	Aluminium Frame	Parts	Weight (g)
-	-	170-041-550	AS-HG-JH25-30-8	Groove Width 8 mm	Damper Hinge HG-JH25 : 1set Bracket AS-JH-A : 4pcs AS Nut AS-8M5 : 8pcs M5 x 10 Hexagon Socket Head Cap Screw : 8pcs M5 x 12 Hexagon Socket Countersunk Head Screw : 8pcs M5 Washers (size 5) : 8pcs	-
-	-	170-041-551	AS-HG-JH35-30-8		Damper Hinge HG-JH35 : 1set Bracket AS-JH-A : 4pcs AS Nut AS-8M5 : 8pcs M5 x 10 Hexagon Socket Head Cap Screw : 8pcs M5 x 12 Hexagon Socket Countersunk Head Screw : 8pcs M5 Washers (size 5) : 8pcs	-
-	-	170-041-552	AS-HG-JH25-40-10-30-8	Groove Width 8 mm Groove Width 10 mm	Damper Hinge HG-JH25 : 1set Bracket AS-JH-A : 2pcs Bracket AS-JH-B : 2pcs AS Nut AS-8M5 : 8pcs AS Nut AS-10M5 : 8pcs M5 x 10 Hexagon Socket Head Cap Screw : 4pcs M5 x 20 Hexagon Socket Head Cap Screw : 4pcs M5 x 12 Hexagon Socket Countersunk Head Screw : 4pcs M5 Washers (size 5) : 8pcs	-
-	-	170-041-553	AS-HG-JH35-40-10-30-8		Damper Hinge HG-JH35 : 1set Bracket AS-JH-A : 2pcs Bracket AS-JH-B : 2pcs AS Nut AS-8M5 : 8pcs AS Nut AS-10M5 : 8pcs M5 x 10 Hexagon Socket Head Cap Screw : 4pcs M5 x 20 Hexagon Socket Head Cap Screw : 4pcs M5 x 12 Hexagon Socket Countersunk Head Screw : 4pcs M5 Washers (size 5) : 8pcs	-

Refer to [1](#) : FRONT P.20, [2](#) : P.52, [3](#) : P.53, [4](#) : P.706