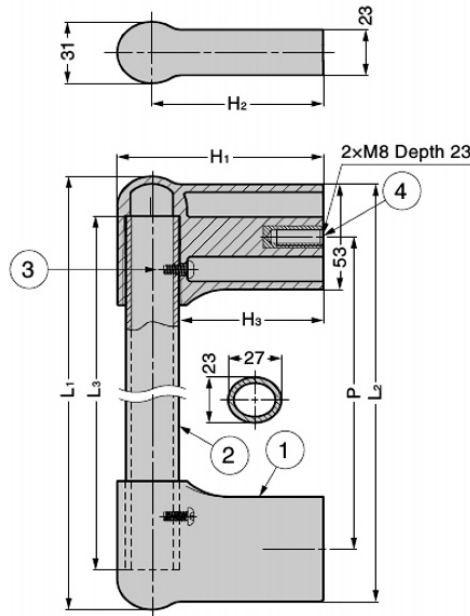


ALUMINIUM PIPE HANDLE MTH

LOAD CAPACITY 500 N **TEST METHOD** 1



- Position of bracket (MTH-T) is higher than common handles, suitable for inset sliding door of machine tool.
- MTH-L with the same height as common handles for total coordination with handle of machine tool.
- Pipe and bracket are connected with screws, preventing pipe loosening and idling.
- Elliptical pipe shape allows for easy gripping and sliding.

[Applications]

- Machine tools and large doors, etc.

[Remarks]

- For single-sided mount. Cannot be used for double-sided mount.

[Recommended Screws]

- M8 screw

No.	Part Name	Material	Finish / Colour
①	Bracket	Glass Filled Polyamide	Black
②	Pipe	Aluminium Alloy	Anodised Silver
③	Countersunk head tapping screw 5 × 12	Steel	Coloured Zinc Chromate (Trivalent)
④	Nut	Brass	Plain

RoHS	CAD	Item Code	Item Name	L ₁	L ₂	L ₃	P	H ₁	H ₂	H ₃	Load Capacity N	Load Capacity kgf	Weight (g)	Box (pcs)	Carton (pcs)
-	3D	100-032-610	MTH-L300	360	352	320	300	74	56.5	43	500	51	360	1	15
-	3D	100-032-611	MTH-L450	510	502	470	450						445	1	15
-	3D	100-032-612	MTH-L600	660	652	620	600						530	1	15
-	3D	100-032-613	MTH-T300	360	352	320	300	104	86.5	73			430	1	15
-	3D	100-032-614	MTH-T450	510	502	470	450						515	1	15
-	3D	100-032-615	MTH-T600	660	652	620	600						600	1	15