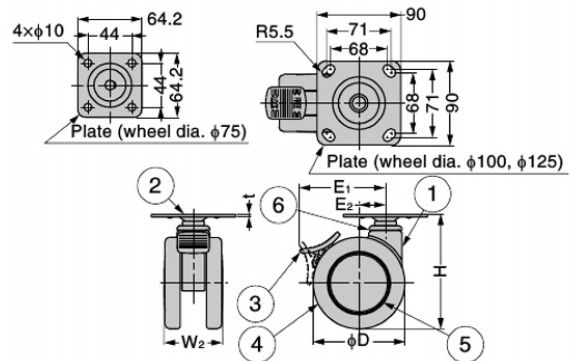


## TWIN WHEEL CASTER MFD Plate Type

**LOAD CAPACITY 686-882 N**



- The brake can lock the wheel rotation and mounting part swivel at the same time.
- Wheels are coated in polyurethane which absorbs vibration and gives an extra smooth and quiet movement.



No.	Part Name	Material	Finish/Colour
①	Body	PA	Light Grey ※
②	Plate	Steel	Coloured Zinc Chromate
③	Stopper Pedal	PA	Light Grey
④	Wheel	PA, PUR	
⑤	Cover	PP	Light Grey ※
⑥	Shaft Cover	PA	Light Grey

※ Item name suffix "GWP" means white colour.

RoHS	CAD	Item Code	Item Name	Type	D	E <sub>1</sub>	E <sub>2</sub>	H	W <sub>2</sub>	t	Load Capacity N/pc	Load Capacity kgf/pc	Weight (g)	Box (pcs)	Carton (pcs)
-	3D	200-130-359	MFDB-75GP	With Brake	75	71	21.5	104	52	3.2	686	70	408	50	-
-	3D	200-130-358	MFD-75GP	Without Brake		-							384	50	-
-	3D	200-130-363	MFDB-100GP	With Brake	100	94	29	132.5	64	4	784	80	831	24	-
-	3D	200-130-362	MFD-100GP	Without Brake		-							793	24	-
-	3D	200-130-370	MFDB-125GWP	With Brake	125	119	39	158.5	74	4	882	90	1112	24	-
-	3D	200-130-369	MFD-125GWP	Without Brake		-							1066	24	-