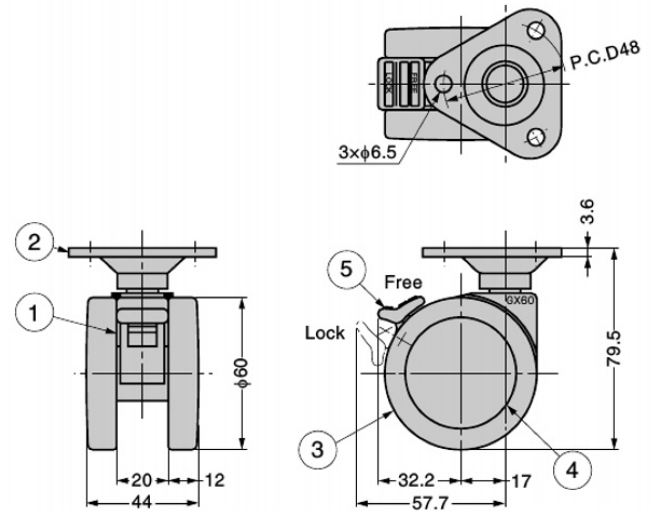


## TWIN WHEEL CASTER GX60P Plate Type

**LOAD CAPACITY 1470 N**



● Stable twin wheel structure provides smooth movement and excellent durability.



Drawing above shows the model with brake.

No.	Part Name	Material	Finish/Colour
①	Body	Aluminium Alloy (ADC)	Barrel Polished
②	Plate	Steel (SPCC)	Coloured Zinc Chromate (Trivalent)
③	Wheel	PA	Black
④	Cover		
⑤	Lever		

RoHS	CAD	Item Code	Item Name	Type	Load Capacity N/pc	Load Capacity kgf/pc	Weight (g)	Box (pcs)	Carton (pcs)
		200-133-181	GX60PS	With Brake	1470	150	225	4	60
		200-130-033	GX60P	Without Brake				4	60