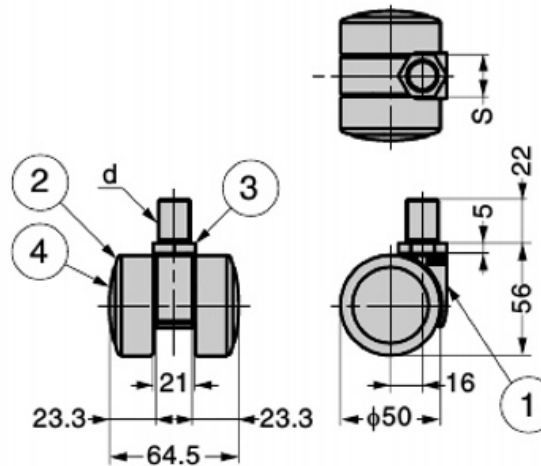


TWIN WHEEL CASTER GX-W50GN Threaded Bolt Type

LOAD CAPACITY 1960 N



- Low profile and heavy duty. Ideal for OA equipment, etc.
- Stable twin wheel structure provides smooth movement and excellent durability.

[Remarks]

- The load capacities in the table below indicate the loads when moving on a smooth surface.

No.	Part Name	Material	Finish/Colour
①	Body	Aluminium Alloy	Barrel Polished
②	Wheel	POM	Black
③	Threaded Bolt	Steel (SWCH)	Coloured Zinc Chromate
④	Cover	PA	Black

RoHS	CAD	Item Code	Item Name	d	S	Load Capacity N/pc	Load Capacity kgf/pc	Weight (g)	Box (pcs)	Carton (pcs)
		200-130-028	GX-W50GN12	M12	19	1960	200	208	4	80
		200-130-029	GX-W50GN16	M16	21			223	4	80