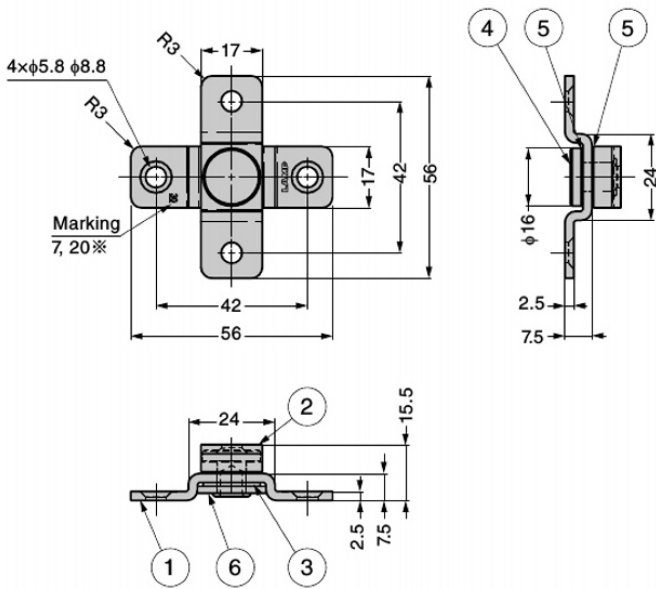
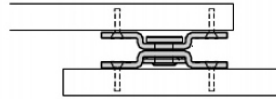


SWIVEL TORQUE HINGE **HG-S-MN** Small Type



※7: HG-S7-MN, 20: HG-S20-MN.

[Installation]



No.	Part Name	Material	Finish
①	Bracket B	Stainless Steel (SUS430)	Barrel Polished
②	Bracket A		
③	F Plate	Bronze	-
④	Shaft	Stainless Steel (SUS303)	
⑤	Spring Washer	Stainless Steel	
⑥	Washer	Stainless Steel (SUS430)	Barrel Polished

RoHS	CAD	Item Code	Item Name	Size	Torque N·m/pc	Torque kgf·cm/pc	Weight (g)	Box (pcs)	Carton (pcs)
		170-029-726	HG-S7-MN	56	0.7 ±20%	7.1 ±20%	48	25	200
		170-029-727	HG-S20-MN		2.0 ±20%	20.4 ±20%	49	25	200