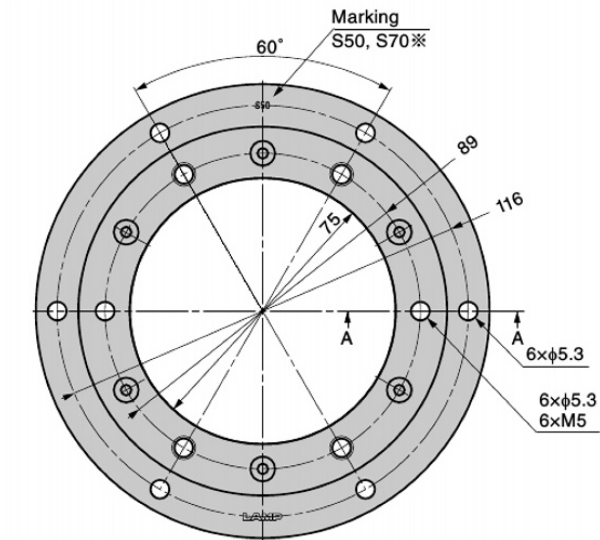
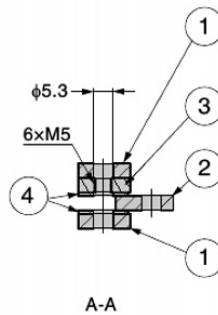
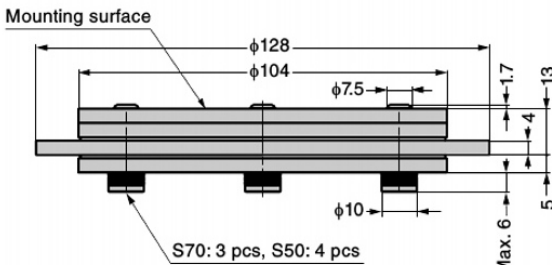
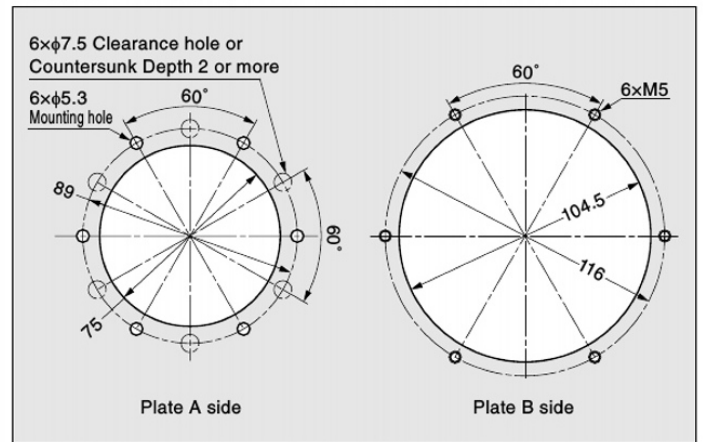


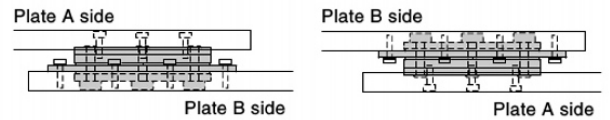
# SWIVEL TORQUE HINGE HG-S-75 Hole Dia. $\phi$ 75



### [Cut Out Dimensions]



### [Installation]



No.	Part Name	Material	Finish
①	Plate A	Stainless Steel (SUS430)	Barrel Polished
②	Plate B		
③	Plate C		
④	F Plate	Bronze	-

※ S50: HG-S50-75, S70: HG-S70-75.

RoHS	CAD	Item Code	Item Name	Size	Hole Diameter	Torque N·m/pc	Torque kgf·cm/pc	Weight (g)	Box (pcs)	Carton (pcs)
		170-029-730	HG-S50-75	128	75	5.0 ± 20%	51.0 ± 20%	545	5	40
		170-029-731	HG-S70-75			7.0 ± 20%	71.4 ± 20%	575		