

STAINLESS STEEL SLIDING DOOR ROLLER JS310 V Type w/o Bracket



- Non-bracket type of JS300 **1**.
- Bearing with rubber seal (dustproof seal type) provides excellent water resistance.
- Ideal for exterior application.
- 2 bearings are used for wheel diameter above $\phi 150$, providing smooth movement even for heavy doors.

[Applications]

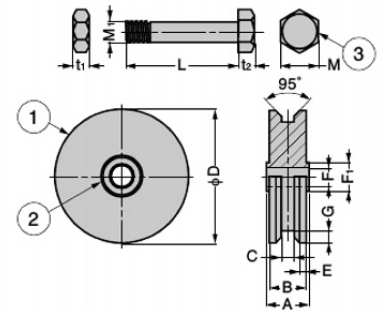
- Gates, etc.

[Remarks]

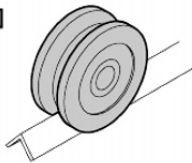
- The dimension A of wheel diameter $\phi 150$ and $\phi 200$ contains the thickness of supplied washer.

[Parts Included]

- Bolt, nut, spring washer, spacer $\times 2$



[Application Example]



No.	Part Name	Material	Finish
①	Wheel	Stainless Steel (SUS303)	-
②	Bearing	Stainless Steel (SUS440C)	
③	Bolt	Stainless Steel (SUS304)	

RoHS	CAD	Item Code	Item Name	D	A	B	C	E	F	F ₁	G	L	M	M ₁	t ₁	t ₂	Weight (kg)	Box (pcs)	Carton (pcs)
		200-024-743	JS310-50V	50	24	20	7.5	3.5	10	18	7	40	17	M10	6	7	0.2	1	20
		200-024-744	JS310-60V	60													0.3	1	20
		200-024-745	JS310-75V	75													0.6	1	20
		200-024-746	JS310-90V	90													0.8	1	20
		200-024-747	JS310-110V	110	28	24	10.5	4.6	12	20	8	45	19	M12	7	8	1.5	1	10
		200-024-748	JS310-150V	150	43	43	13	8	20	40	18	75	30	M20	12	13	4.9	1	2
		200-024-749	JS310-200V	200	50	50	15	7	25		20	86		M24	14	10	9	1	1

Refer to **1** : P.794