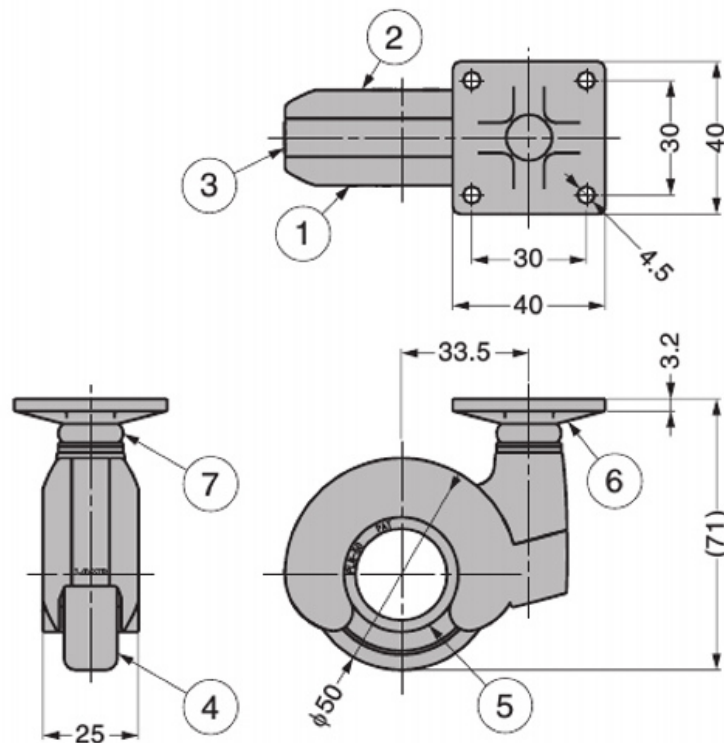


DESIGN CASTER **PLN50P** Plate Type

LOAD CAPACITY 785 N



[Remarks]

- Do not use it on a nonsmooth surface. Deformation, damage or wheel detachment may occur.
- The load capacities in the table below are static load values.

No.	Part Name	Material	Finish/Colour
①	Body (Right)	Zinc Alloy (ZDC)	As below.
②	Body (Left)		
③	Cover	POM	Dark Grey
④	Wheel	PA	Black
⑤	Inner Ring		Dark Grey
⑥	Plate	Steel	Coloured Zinc Chromate
⑦	Mounting Plate	Stainless Steel (SUS304)	Barrel Polished

RoHS	CAD	Item Code	Item Name	Finish/Colour (Body)	Load Capacity N/pc	Load Capacity kgf/pc	Weight (g)	Box (pcs)	Carton (pcs)
		200-022-220	PLN50PBL	Paint/Black	785	80	220	1	28
		200-022-221	PLN50PCR	Chrome				1	28