

ADJUSTABLE ONE WAY TORQUE HINGE HG-TQJ100



- Friction in one direction only: Allows for frictionless handling of the door in the opposite direction.
- Torque adjustable from 0 to 10N · m.
- High torque type with max. torque up to 10N · m.
- Two types (friction in opening direction and in closing direction) available.
- Torque is stable.
- Cover attached to torque adjustment part for clean appearance.

[Specifications]

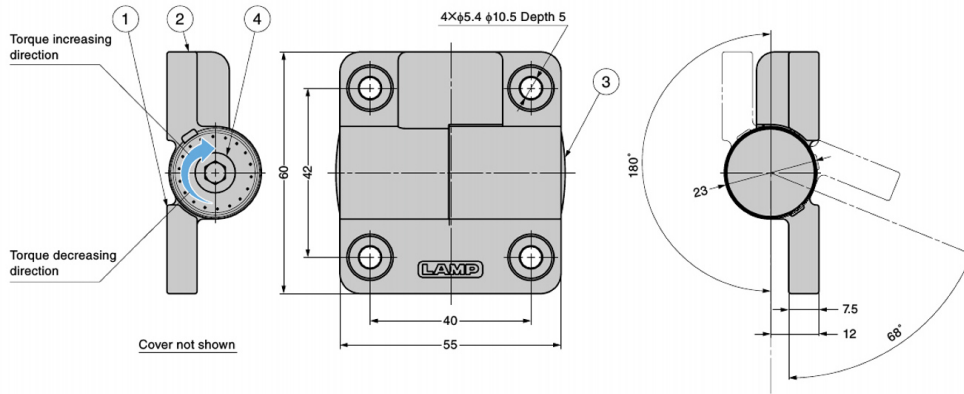
- Operating temperature: 0°C ~40°C

[Applications]

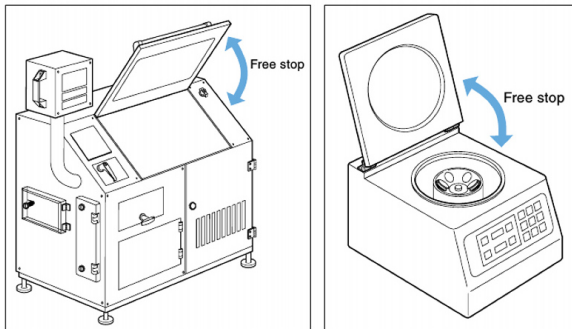
- Impact-free opening and closing of door. Medical equipment, FA equipment, and OA equipment, etc.

[Remarks]

- Be sure to read the "Cautions" **1**.
- Use all mounting holes.
- When installing, ensure that both hinge shafts are levelled and aligned.
- Do not remove the torque adjustment screw.
- Use a hex key (nominal size 5) for torque adjustment.
- Readjust the torque moment when it lowers.

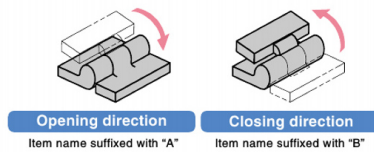


[Application Example]



Since torque is adjustable from 0 to 10N · m, applicable to various doors.

[Torque Working Direction]



No.	Part Name	Material	Finish / Colour
①	Bracket A	Zinc Alloy	Satin Chrome
②	Bracket B		
③	Cover	PP	Dark Grey
④	Torque Adjustment Nut	Steel	-

Rev	CAD	Item Code	Item Name	Type	Torque N · m/pc	Torque kgf · cm/pc	Weight (g)	Box (pcs)	Carton (pcs)
01	01	170-032-969	HG-TQJ100-A	Torque Working in Opening Direction	0-10	0-102	242	12	96
01	01	170-032-970	HG-TQJ100-B	Torque Working in Closing Direction				12	96

Refer to **1** : P.15.