

# LOW PROFILE HEAVY DUTY CASTERS HG Plate Type

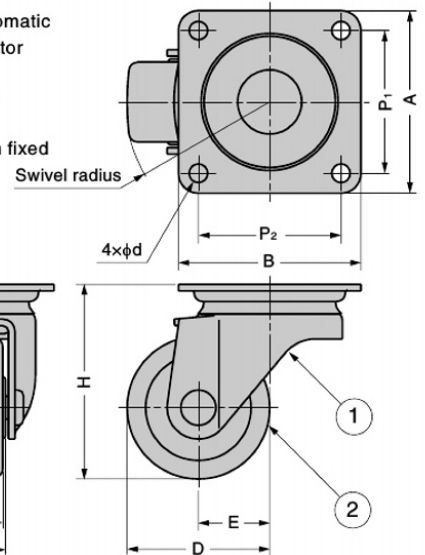
**LOAD CAPACITY** 1600~3200 N



- Small heavy duty type with low profile.
- High performance bearing reduces starting force (HG-50GNB excluded).
- Carburised and quenched main metal parts provide outstanding durability and load capacity.

**[Applications]**

- Medical equipment, automatic equipment, semiconductor equipment, financial equipment, other heavy equipment required for space-saving, long-term fixed heavy equipment, etc.



[Reinforced Polyamide Wheel] Item Name Suffix "GNB"



Excellent load capacity and impact resistance compared with polyamide wheel.

[Phenol Wheel] Item Name Suffix "PB"



High surface hardness and excellent resistance against oil, heat and compression.

No.	Part Name	Material	Finish/Colour
①	Body	Steel (SPHC)	Clear Zinc Chromate (Trivalent)
②	Wheel	Item Name Suffix "GNB" : Reinforced (PA)	Black
		Item Name Suffix "PB" : Phenol Resin (PF)	

RoHS	CAD	Item Code	Item Name	Wheel Material	D	H	E	W <sub>1</sub>	W <sub>2</sub>	A	B	P <sub>1</sub>	P <sub>2</sub>	d	Swivel Radius	Load Capacity N/pc	Load Capacity kg/pc	Weight (g)	Box (pcs)	Carton (pcs)
		200-130-399	HG-50GNB	Reinforced Polyamide	50	68	25	28	30	64	64	50	50	6.5	51	1600	163.2	320	36	-
		200-130-400	HG-65PB	Phenol Resin (PF)	65	92	22	38	42	90	90	71	71	10.5	57	3000	306	880	20	-
		200-130-401	HG-75PB		75	106									61	3200	326.4	970	20	-