

## HEAVY DUTY CASTERS SDYHU

Made to Order **LOAD CAPACITY** 6860~17150 N



- Thrust bearing and tapered bearing at swivelling part of swivel type caster provide excellent swivel performance.
- Small play between body and wheel reduces noise.
- Anti-static urethane wheel prevents dust from adhering.
- Operating temperature: -10°C ~ 60°C.

**[Applications]**

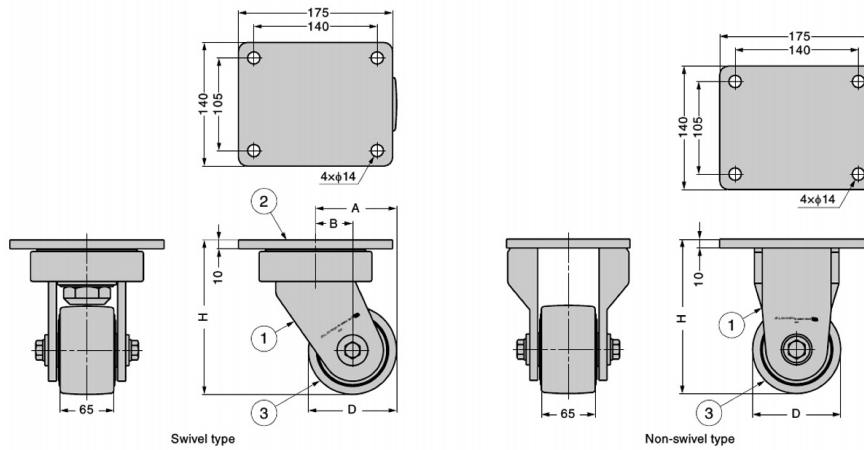
- LCD manufacturing equipment, semiconductor manufacturing equipment, etc.

**[Remarks]**

- Please use at a speed less than 4km/h.

**[Urethane Roller Physical Properties]**

	Test Result	Test Method
Hardness	95	ASTM D-2240
Tensile Strength	40MPa	ASTM D-412
Elongation	350%	
Tear Strength	10MPa	ASTM D-624



No.	Part Name	Material	Finish/Colour
①	Body	Steel	Black Chromate
②	Plate		
③	Wheel	PUR	Yellow

**[Swivel Type]**

RoHS	CAD	Item Code	Item Name	D	H	A	B	Load Capacity N/pc	Load Capacity kgf/pc	Weight (kg)	Box (pcs)	Carton (pcs)
-	3D	-	SDYHU-100SF	100	175	92	42	6860	700	8.1	-	-
-	3D	-	SDYHU-125SF	125	198	111	48	10290	1050	8.6	-	-
-	3D	-	SDYHU-150SF	150	222	125	50	14210	1450	9.55	-	-
-	3D	-	SDYHU-200SF	200	270	160	60	17150	1750	11.55	-	-

**[Non-swivel Type]**

RoHS	CAD	Item Code	Item Name	D	H	Load Capacity N/pc	Load Capacity kgf/pc	Weight (kg)	Box (pcs)	Carton (pcs)
-	3D	-	SDYHU-100RF	100	175	6860	700	5.23	-	-
-	3D	-	SDYHU-125RF	125	198	10290	1050	5.95	-	-
-	3D	-	SDYHU-150RF	150	222	14210	1450	6.83	-	-
-	3D	-	SDYHU-200RF	200	270	17150	1750	8.95	-	-